

# FC SERIES PT TYPE ALARM SETTER

## DATA SHEET

PTP

The FC series PT type alarm setter accepts one or two input signal, compares internal or external setting signal, and outputs alarm contact signals of upper limit or lower limit.

Its structure is plug-in style.

## SPECIFICATIONS

### INPUT SPECIFICATION

Input signal: Input for monitor 2 points (Max.)  
Input for external setting 2 points (Max.)

Input type	Voltage	Current
Input signal	1 to 5V DC	4 to 20mA DC
Input resistance	1 MΩ or over	250Ω

### ALARM SETTING SPECIFICATION

Internal setting: By built-in trimmer resistor  
External setting: By external signal

### OUTPUT SPECIFICATION

Output signal: 2 points (Max.)  
Output type: Relay contact output  
Contact capacity: 24V / 0.5A DC, 100V/ 0.4A AC  
200V/ 0.2A AC or less (resistance load)

### POWER SUPPLY

Power supply: 24V DC (20 to 30V DC)  
24V AC, +13%, -10%, (47 to 63Hz)  
100V AC (85 to 132V AC / 47 to 63Hz)  
200V AC (187 to 264V AC / 47 to 63Hz)  
as specified.

Power consumption:  
Approx. 2W (at DC power)  
Approx. 6VA (at AC power)

### OPERATION CONDITION

Ambient temperature: 0 to 50°C  
Ambient humidity:  
Less than 90%RH (no condensation)

Outline dimension (HxWxD):  
96 x 52 x 130mm

Mass: Appox. 300g  
Housing: Plastic housing (color: black)  
Mounting method:  
Panel mounting or DIN rail mounting

### CHARACTERISTICS

Accuracy: Less than ±0.2% of full span  
Reproducibility: Less than ±0.1% of full span  
Hysteresis width: Appox. 0.3% of full span



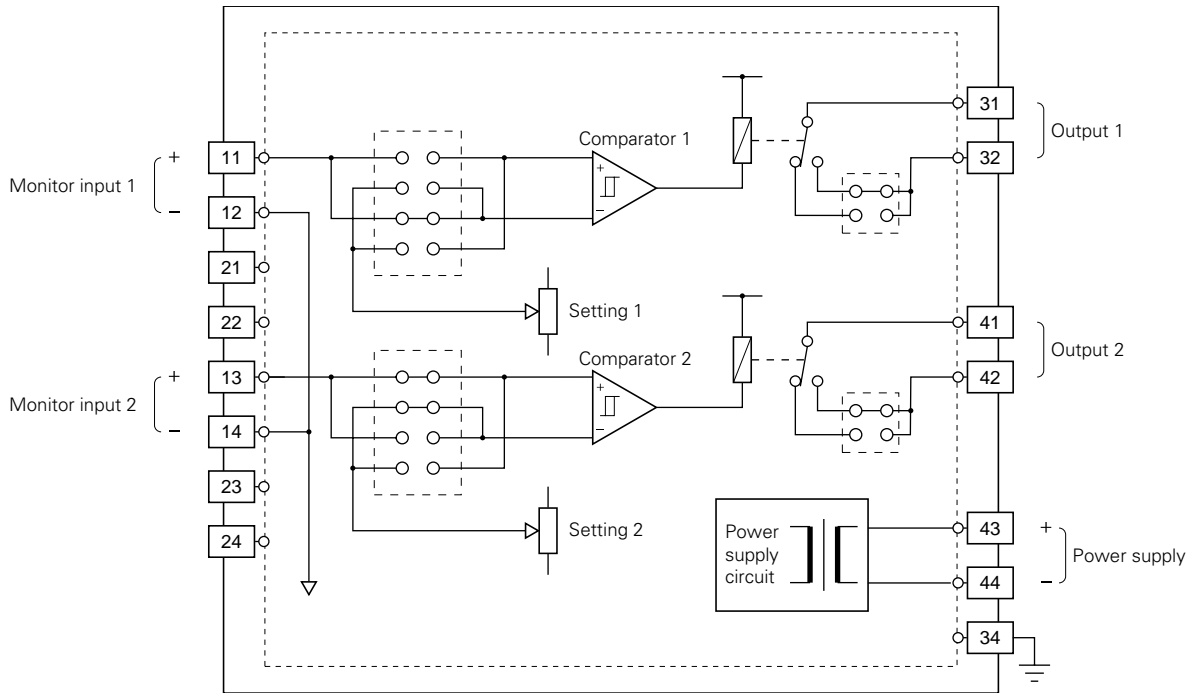
Response time: Less than 0.2 sec.  
Dielectric strength:  
1500V AC, 1 min.  
(Input - Output - Power - Ground)  
Insulation resistance:  
500V DC, 100MΩ or over  
(Input - Output - Power - Ground)  
Ambient temperature effect:  
Less than ±0.15% of full span/10°C  
Power regulation effect:  
Less than ±0.15% of full span

### CODE SYMBOLS

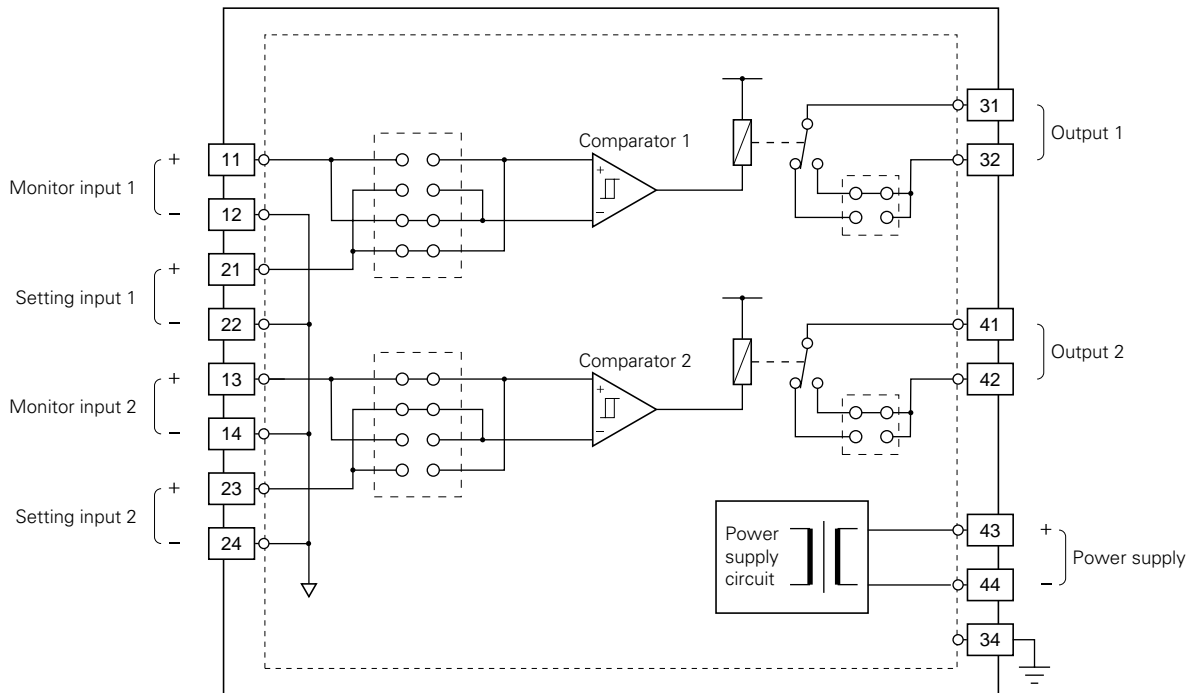
1	2	3	4	5	6	7	8	9	10	Description
P	T	P						1		<b>Input signal</b> 1 to 5V DC 4 to 20mA
	1									<b>Output signals</b> 1 point 2 points
								A		<b>Alarm setting system</b> Internal setting External setting
								B		
										<b>Power supply</b> 24V DC / 24V AC (50/60Hz) 100V AC (50/60Hz) 200V AC (50/60Hz)
										<b>1st alarm specifications</b> 1 --- Excitation ON (upper limit alarm) 2 --- Excitation ON (lower limit alarm) 3 --- Excitation OFF (upper limit alarm) 4 --- Excitation OFF (lower limit alarm) 5 --- Non- Excitation ON (upper limit alarm) 6 --- Non- Excitation ON (lower limit alarm) 7 --- Non- Excitation OFF (upper limit alarm) 8 --- Non- Excitation OFF (lower limit alarm)
										<b>2nd alarm specifications</b> 0 --- None (The 5th digit : 1) 1 --- Excitation ON (upper limit alarm) 2 --- Excitation ON (lower limit alarm) 3 --- Excitation OFF (upper limit alarm) 4 --- Excitation OFF (lower limit alarm) 5 --- Non- Excitation ON (upper limit alarm) 6 --- Non- Excitation ON (lower limit alarm) 7 --- Non- Excitation OFF (upper limit alarm) 8 --- Non- Excitation OFF (lower limit alarm)

# FUNCTIONAL DIAGRAM

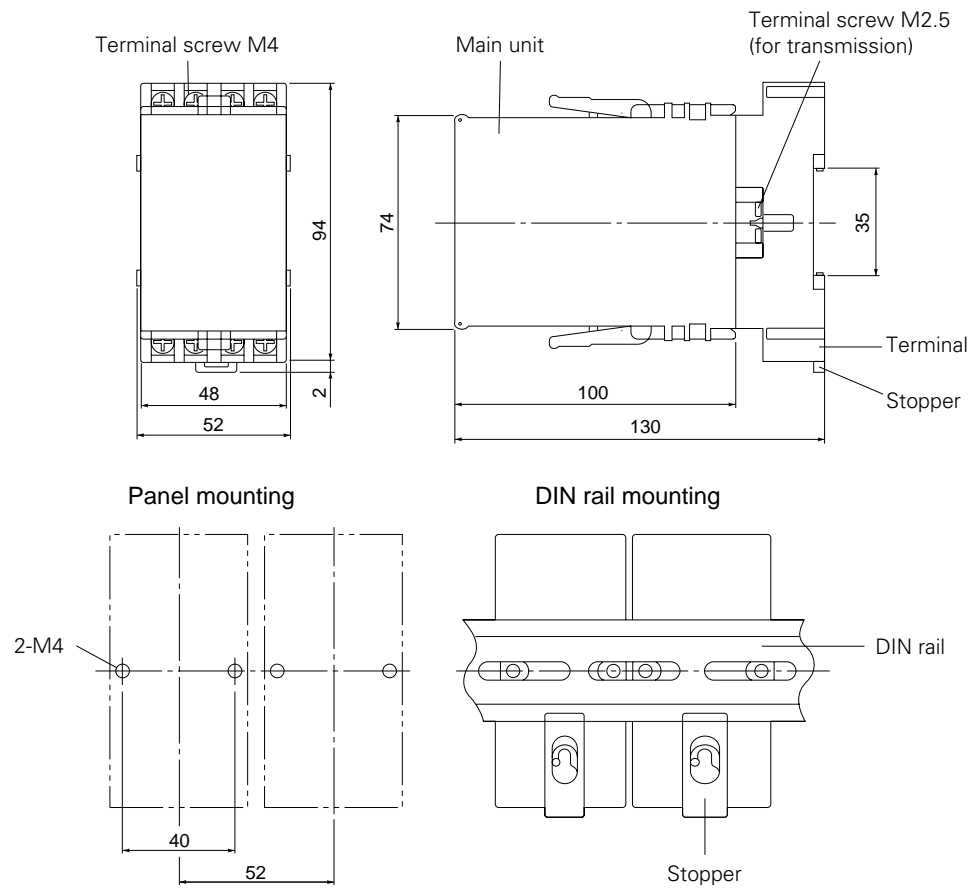
## Internal Setting



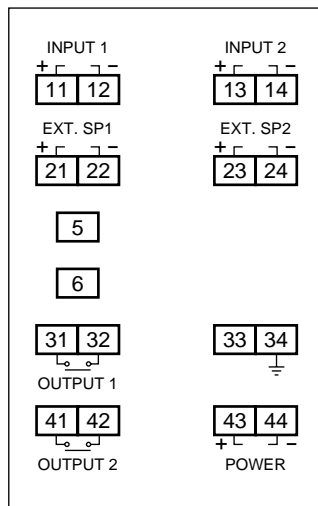
## External setting



## OUTLINE DIAGRAM (Unit: mm)



## EXTERNAL CONNECTION DIAGRAM



## RANGE OF DELIVERY

Main unit and socket

⚠ Caution on Safety

\*Before using this product, be sure to read its instruction manual in advance.

---

## Fuji Electric Systems Co., Ltd.

### Head Office

Gate City Ohsaki, East Tower, 11-2, Osaki 1-chome,  
Shinagawa-ku, Tokyo 141-0032, Japan

<http://www.fesys.co.jp/eng>

### Instrumentation Div.

#### International Sales Dept.

No.1, Fuji-machi, Hino-city, Tokyo, 191-8502 Japan

Phone: 81-42-585-6201, 6202 Fax: 81-42-585-6187

<http://www.fic-net.jp/eng>

---

Information in this catalog is subject to change without notice.

Printed in Japan